

Series 120L

# PRODUCT SPECIFICATION SHEET

MODEL: **Series 120L**

REV: **A**

DESCRIPTION: **DIN Rail Mtg. Limit Temp Controller w/Manual Reset**

CUSTOMER PN:

DATE: **7/7/04**

**Input Voltage:** 115VAC ±15%, 50/60Hz, 3VA Max. (240VAC and 24VAC optional)  
**Control Output:** SPDT Relay rated 3.8(1.5) Amps Res. & 1.5(.8) Amps Pilot Duty 120(240)VAC, 100,000 cycles; optional DC output to drive customer supplied SSR.  
**Control Mode:** Latching with Manual Reset or Automatic Reset on power off; relay contacts open on temperature rise.  
**Trip Indicator:** LED illuminates when controller trips.  
**Reset Function:** Integral reset switch standard; terminals available for optional remote reset switch.  
**Std. Ranges/Sensors:** See table below. Contact factory for other ranges or sensors.  
**Setpoint Adj.:** Local SP pot adjustment  
**Compensation (TC only):** Automatic cold junction compensation  
**Control Stability:** Typically less than ±5mV/°F ambient and .01% of span/% rated line voltage  
**Set Point Accuracy:** ±3% of FS maximum at 25°C and rated line voltage  
**Sensor Break Protection:** Contacts open for thermocouple break or for open RTD.  
**Amb. Oper. Temp:** 0 to 55°C (32 to 131°F )

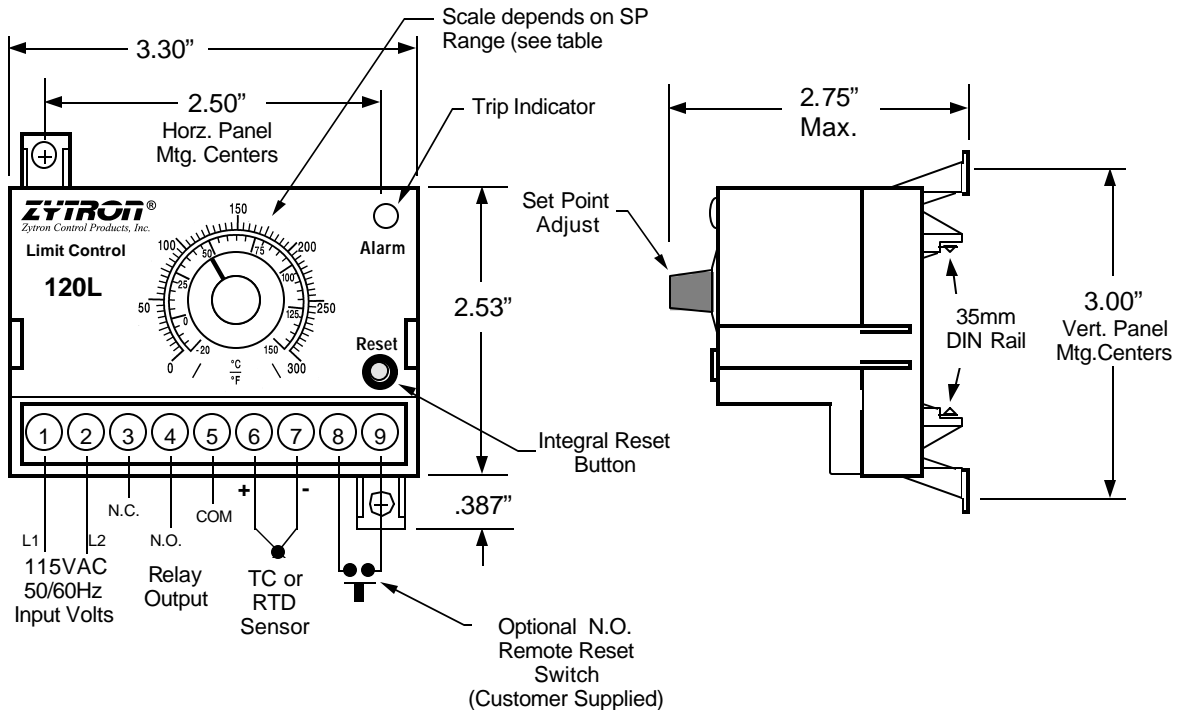
**MECHANICAL**

Enclosure Material: Noryl, Black color  
 Field Terminations: Screw terminals with wire clamping plates and touch safe shield.  
 Mounting: 35mm DIN rail and surface mounting base

**AGENCY APPROVALS** UL 873 & CUL per CSA C22.2 No. 24 File #E105669; FM 3545

ZYTRON P/N	VOLTAGE	SP RANGE	SENSOR
120L-17J001	115VAC	0 to 1400°F/-20 to 760°C	"J" T/C
120L-17K002	115VAC	0 to 2300°F/-20 to 1260°C	"K" T/C
120L-17J003	115VAC	0 to 600°F/-20 to 315°C	"J" T/C
120L-17J004	115VAC	0 to 300°F/-20 to 150°C	"J" T/C

**DIMENSIONS:**



LTR	DESCRIPTION	DATE
A	Corrected drawing and revised operating temperature.	8/25/05

